

SAFETY LADDER – FAB A SYSTEM A12

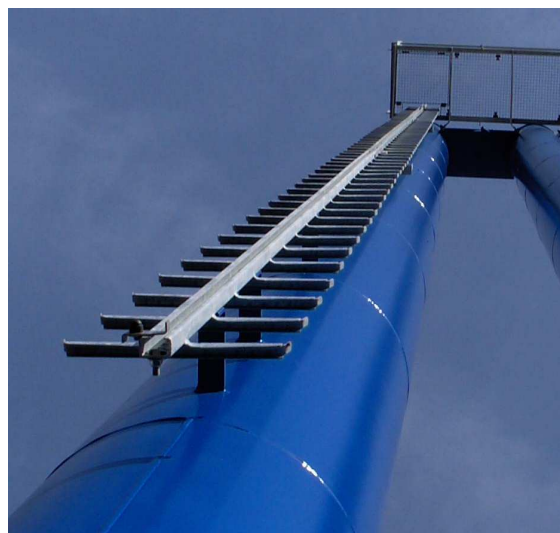
The FAB A12 ladder is used as standard for our steel stacks. The ladder is hot dip galvanized and comes with 1 safety belt and 1 retaining carriage. Depending on the standards VL resting platforms are installed.

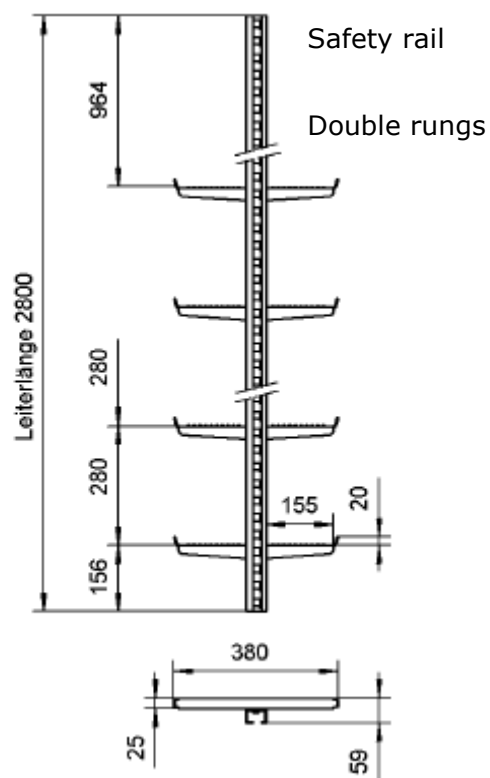
The FAB A12 conforms to the EU line of direction 89/686/EWG, and the standard EN 353-1. Furthermore it is in accordance with the DIN 18799 part 2 as well as the BGV D 36.

The VL resting platforms are in accordance with DIN 18799-1: 2009-05 (see drawing beneath).

Some chosen dimensions:

Width of ladder: 380 mm
Mounting distance: 1400 mm





VL resting platform

